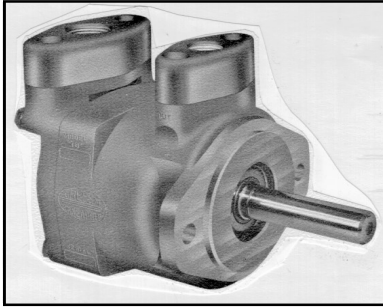


HYDRAULIC PUMPS & MOUNTING BRACKETS

MODEL TB SERIES VANE PUMP TB-12 GALLON PUMP

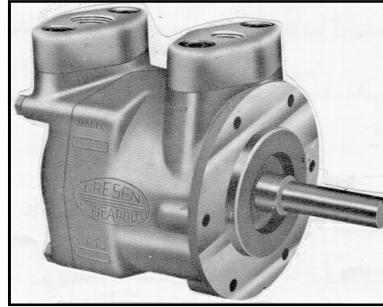


ITEM NUMBER
HYDTB12
\$ 549.95

Maximum Pressure	1500 PSI
Maximum Operating Speed	2000 RPM
Minimum Operating Speed	300 RPM
Required Starting Speed	500 RPM
Standard Rotation	* Clockwise
Pressure Port Size	3/4"
Suction Port Size	1"
Shipping Weight	11 lbs.

* If counter-clockwise is required, just turn the rotar ring around

MODEL TC SERIES VANE PUMP TC-24 GALLON PUMP



ITEM NUMBER
HYDTC24
\$ 619.95

Maximum Pressure	1500 PSI
Maximum Operating Speed	2000 RPM
Required Starting Speed:	600 RPM
(Minimum operating speed may be less after the pump is primed)	
Standard Rotation	* Clockwise
Pressure Port Size	1"
Suction Port Size	1/4"

* If counter-clockwise is required, just turn the rotar ring around

FOOT MOUNT BRACKETS



KTBFM
FOOT MOUNT
FOR TB-12 PUMP

KTCFM
FOOT MOUNT
FOR TC-24 PUMP

Both Aluminum foot mount brackets shown are used for mounting the Gresen Vane Pumps. They are also used in various clutch assemblies to form complete units.

KTBFM
For the TB-12 pump.
Four Bolt Pattern

ITEM NUMBER
HYDKTBFM
\$ 64.95

KTCFM
For the TC-24 Pump.
Six Bolt Pattern

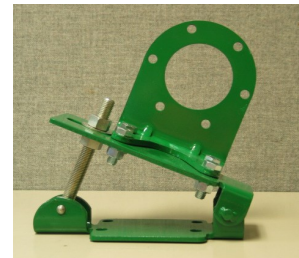
ITEM NUMBER
HYDKTCFM
\$ 65.95

PUMP STANDS

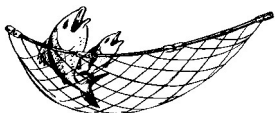


#PB1C STAND FOR TB PUMP
ITEM NUMBER HYDPB1C
\$144.95

The #PB1C Stand and #PB2C Stand are to be used with the TB-12 and TC-24 pumps and the electric Clutches for these pumps. The Pump Stands allow the pump and clutch to be adjusted for tightening or loosening the belts on the clutch.



#PB2C STAND FOR TC PUMP
ITEM NUMBER HYDPB2C
\$ 144.95



Atlantic & Gulf Fishing Supply Corp.

Sales: (305) 888-9646, (800) 327-6167

Fax: (305) 888-6027

Email: sales@atagulf.com

Please visit our website located at <http://www.atagulf.com> for current pricing and information.

